

NSC Series Moulded Case Circuit Breaker

Application

NSC series moulded case circuit breaker is one of breakers which adopts international advanced design, manufacture technology to develop. The rated insulating voltage is 500v, suitable for AC 50Hz (60Hz), rated working voltage 500V or below, rated working current is 15A to 250A of circuit and use in distributing electric energy. The product conforms to IEC60947-2 standard.



NSC-100B

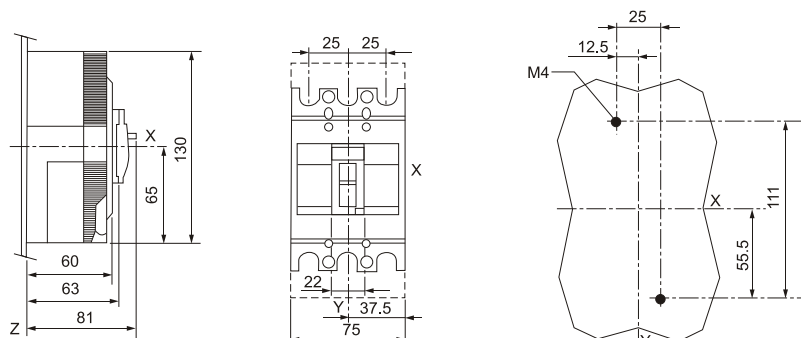


NSC-250D

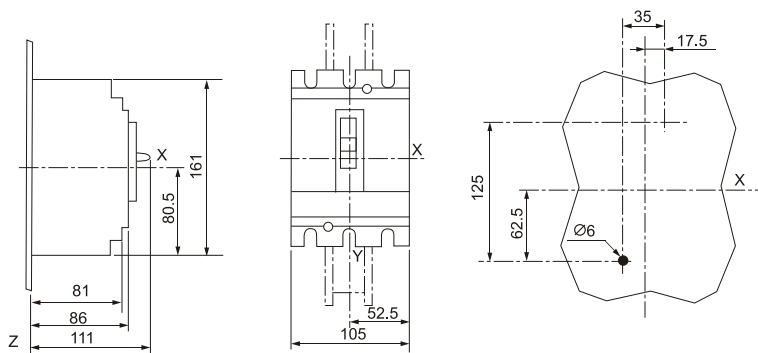
Specifications

Type	NSC60E	NSC100B	NSC100D	NSC160D	NSC250D
Poles number	3	3	3	3	3
Rated current In(A)	15,20,25,30,40,50,60	15,20,25,30,40,50,60,75,80,100	15,20,25,30,40,50,60,75,80,100	125,160	200,225,250
Rated operating voltage Ue(V) (50/60Hz)	500	500	500	500	500
Rated insulation voltage Ui(V)	500	500	500	500	500
Rated impulse voltage Uimp(KV)	6	6	6	6	6
Utilisation category	A	A	A	A	A
Rated limited breaking capacity Icu(KA) 220/240V	7.5	25	25	85	85
Rated limited breaking capacity Icu(KA) 380V	7.5	10	18	18	18
Rated used breaking capacity Ics(%Icu) 400V	7.5	10	15	15	15
Rated used breaking capacity Ics(%Icu)	25	25	50	50	50

Outline and installation dimensions



NSC-60E, 100B, 100D



NSC-160D, 250D